

# Return Line Filter RFM Black

## Description

The new RFM Black filters have been developed to fulfil customers demands on a cost-efficient, but nevertheless, high-quality return line filter standard version. Since the filters are highly reduced in weight and since the number of clogging indicator connections is reduced to the most important ones, these filters can be offered with a considerably lower price.

Until now, two sizes were provided (RFM 165 and 180) – others on enquiry.

### Technical Data:

- $P_{\max}$  = 10 bar
- $Q_{\max}$  = 165/180 l/min
- Connection: Hose connection



## Advantages

- **Simplified system integration**  
due to hose connection
- **Reduced weight**
- **Optimum sealing to the tank**  
due to 4-hole flange

## Application

The return line filters RFM Black are especially used in cost-efficient applications like for example wood splitters and small shredders.

Moreover, even mobile applications can be considered which the standard RFM filters have not been applied in before, due to the high pricing pressure.

## Series start / Delivery Time

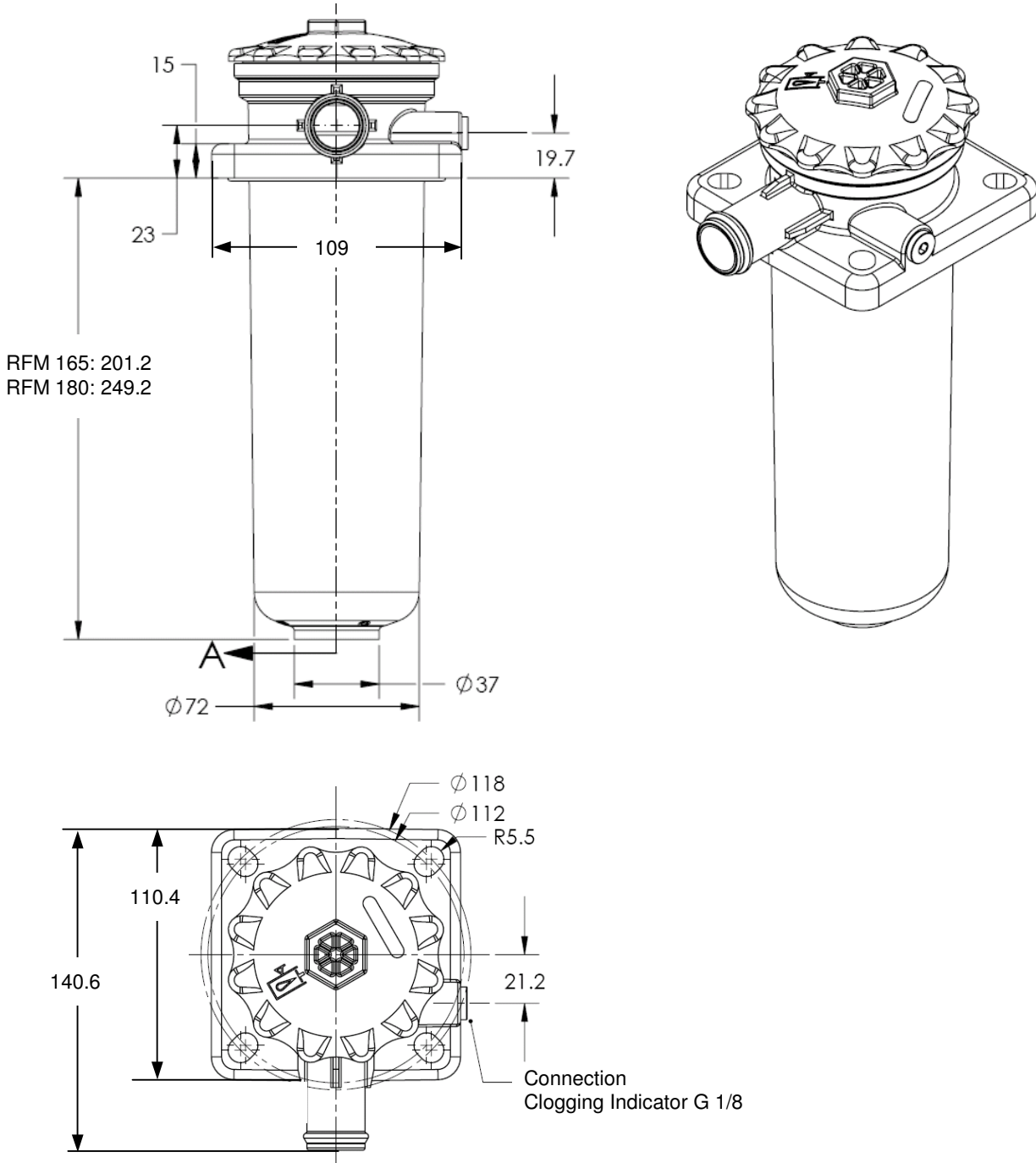
- **Series start:**  
July 2008
- **Delivery time:**  
approx. 6 weeks after order confirmation

# Return Line Filter RFM Black

## Type Code

Type	Filter material	Size	Pressure	Connection	Filtration rating in $\mu\text{m}$	Type of clogging indicator	Type code	Modif. No.	Supplementary details
RFM	BN/HC (Betamicon BN4HC)	165 180	B = 10 bar	HB = hose connecton	3, 5, 10, 20	Y plastic plug A screw plug B optical F electrical ... others on enquiry	1.	X (= latest version)	-Black

## Dimensions



## Information

Further information is available by our technical sales department of the HYDAC Filtrertechnik as well as from one of our sales offices close to your location.