

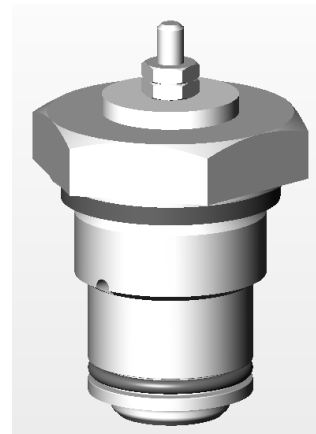
New Electrical Mobile Clogging Indicator

Description

Single-pole clogging indicator, mainly for use in mobile applications (ground switching).

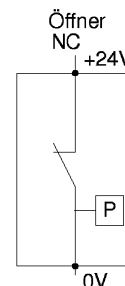
Technical data:

- Max. voltage: 24 V
- Type of protection: IP00
- Hydr. switching pressure : Δp 2 bar
- Max. permissible operating pressure: 210 bar
- Temperature range: -30 °C to 100 °C

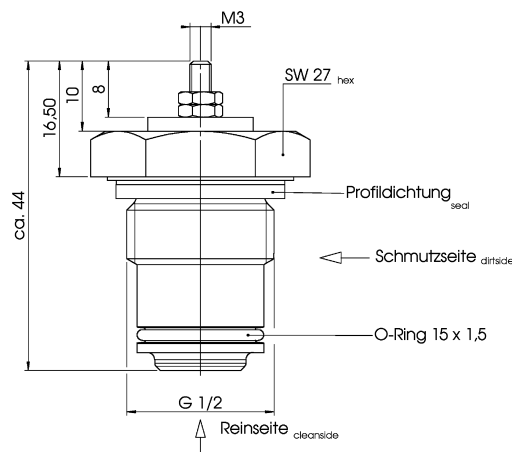


Advantages

- **Cost-efficient**, due to simple design
- **Space-saving**, due to low height
- **Only one connection cable required**



Dimensions



Model Code

VM 2 M.0 Mat. no.: 1290847

Series start / delivery time

- **Series start:** available from now on
- **Delivery time:** approx. 4 weeks after order confirmation

Information

Further information is available by our technical sales department of the HYDAC Filbertechnik as well as from one of our sales offices close to your location.